



EAGLE FLIGHT[®] STAINLESS STEEL WHEEL SIMULATORS

Type D INSTALLATION INSTRUCTIONS

Light Duty Over Lug Mounting with Jam Nuts

Front Axle Set

- 2 Front Wheel Simulators
- 4 Right Hand Jam Nuts with Stainless Covers
- 2 Decals

Rear Axle Set

- 2 Rear Wheel Simulators
- 4 Right Hand Jam Nuts with Stainless Covers
- 2 Decals
- 1 Installation Tool

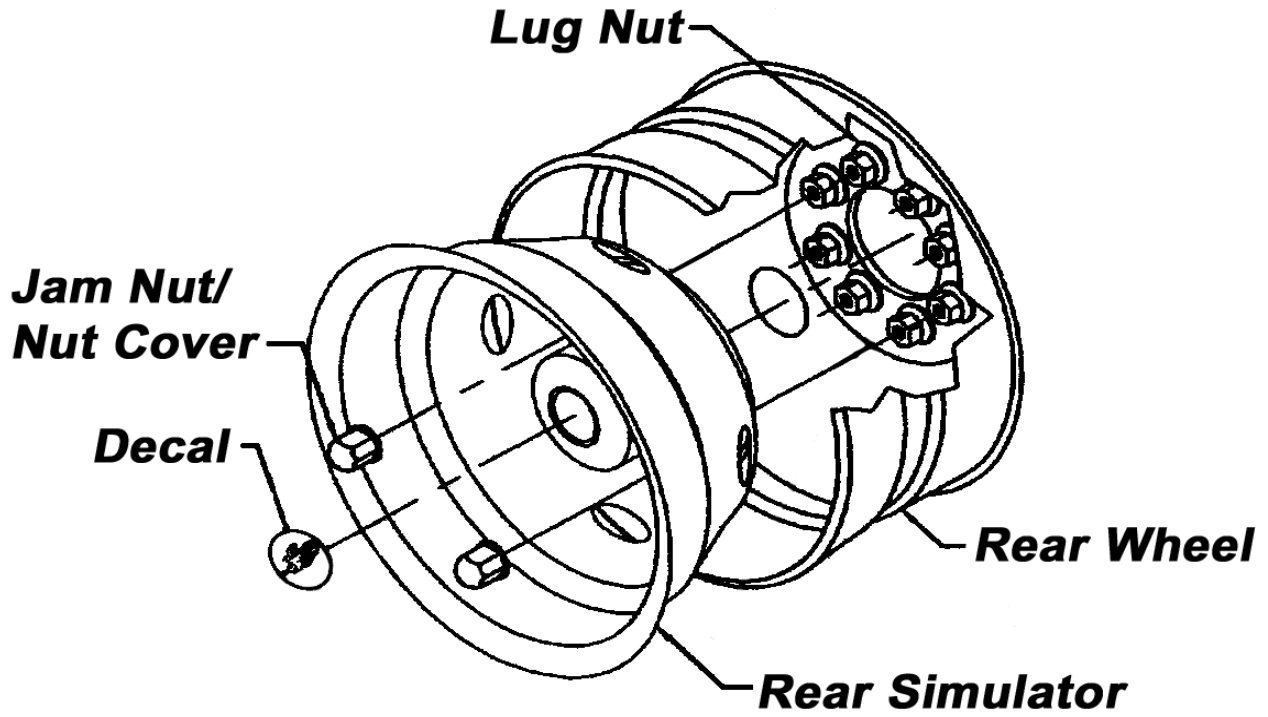
Note: This system can be installed with the installation tool provided. No other tools are necessary. Do not use power tools for installation. Eagle Flight[®] recommends storing the tool with the vehicle's tire tool for future use.

Installation Instructions

1. DO NOT REMOVE ANY LUGNUTS.
2. DETERMINE CORRECT PLACEMENT OF SIMULATORS REQUIRED FOR PROPER HAND HOLE ALIGNMENT.
3. PLACE LINER OVER STUDS.
4. INSTALL JAM NUTS/ NUT COVERS ONTO THE STUDS, USING THE INSTALLATION TOOL.
5. REPEAT STEPS FOR EACH WHEEL.
6. APPLY DECALS.

ASSEMBLY DRAWINGS ON BACK

Typical Rear



Typical Front

