



EAGLE FLIGHT[®] STAINLESS SIMULATORS

MEDIUM DUTY WITH JAM NUT RETENTION

- | | |
|---|---|
| <ul style="list-style-type: none">• 2 FRONT WHEEL SIMULATORS• 2 REAR WHEEL SIMULATORS• 8 RIGHT HAND JAM NUTS• 8 JAM NUT COVERS | <ul style="list-style-type: none">• 2 POP OUT CENTERS• 4 CENTER DECALS• 1 INSTALLATION TOOL |
|---|---|

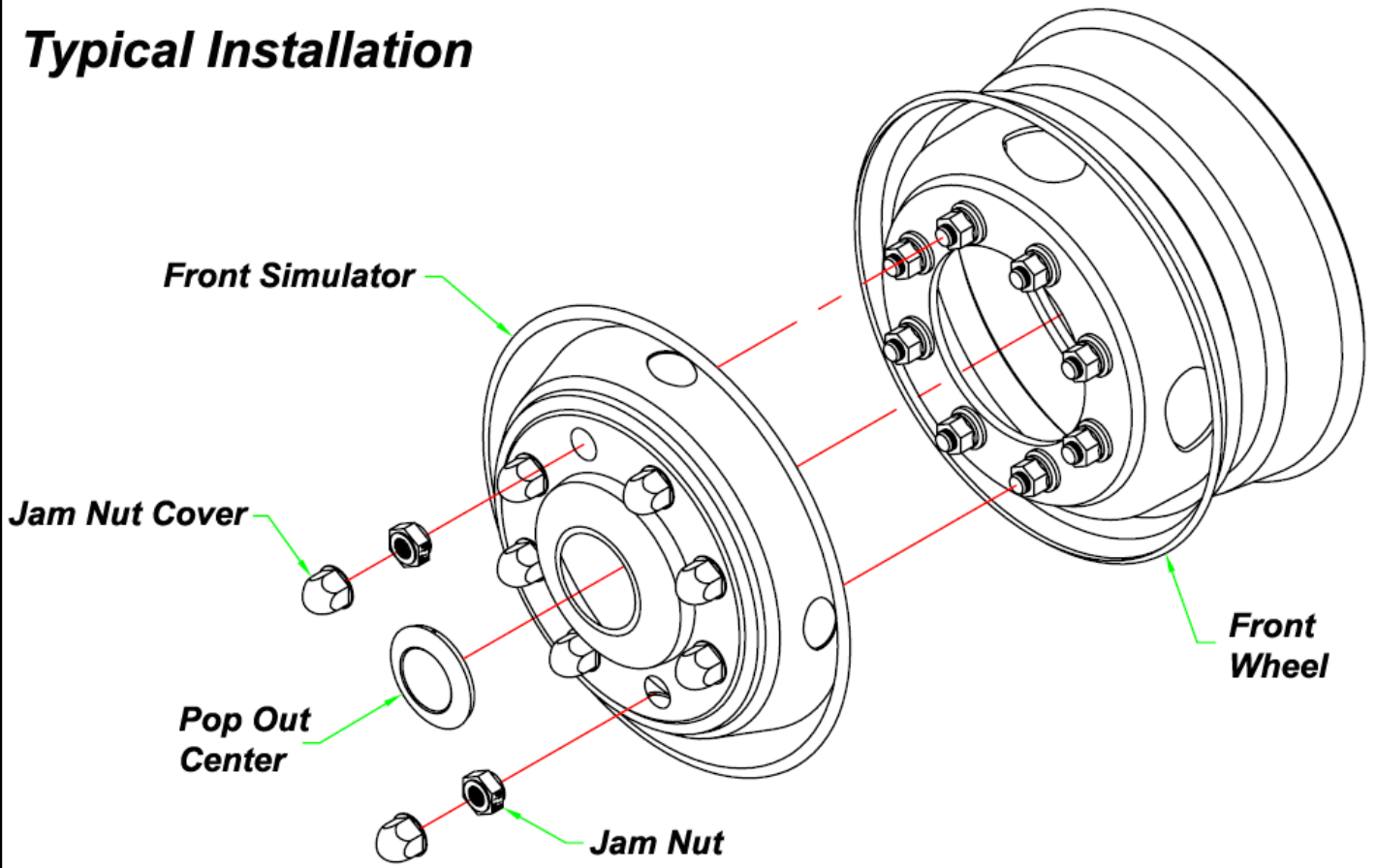
INSTALLATION INSTUCTIONS

NOTE: THIS SYSTEM CAN BE INSTALLED WITH THE INSTALLATION TOOL PROVIDED. NO OTHER TOOLS ARE NECESSARY. DO NOT USE POWER TOOLS FOR INSTALLATION. IT IS RECOMENDED THAT THE TOOL IS STORED IN VEHICLE FOR FUTURE USE.

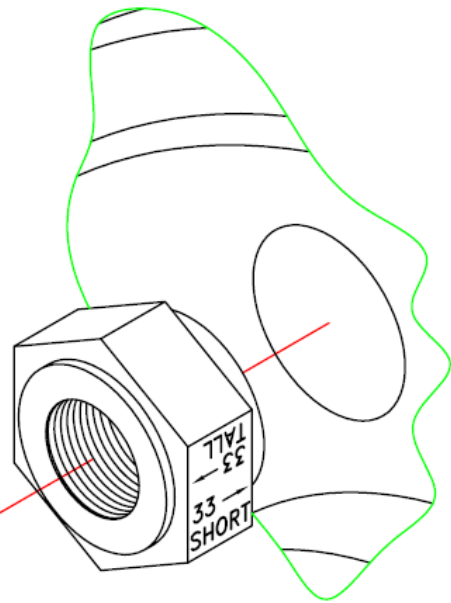
ASSEMBLY DRAWINGS ON BACK

1. DO NOT REMOVE ANY LUGNUTS.
2. DETERMINE CORRECT PLACEMENT OF SIMULATORS REQUIRED FOR PROPER HAND HOLE ALIGNMENT.
3. PLACE LINER OVER STUDS.
4. INSTALL JAM NUTS ONTO THE STUDS, USING THE INSTALLATION TOOL. MAKE SURE THAT THE CORRECT ALIGNMENT OF THE JAM NUT IS USED. (REFER TO DIAGRAM ON BACK)
5. INSTALL JAM NUT COVERS.
6. REPEAT STEPS 1-5 FOR EACH WHEEL.
7. APPLY DECALS. MAKE SURE SURFACE IS CLEAN AND WARM WHEN APPLYING DECALS.

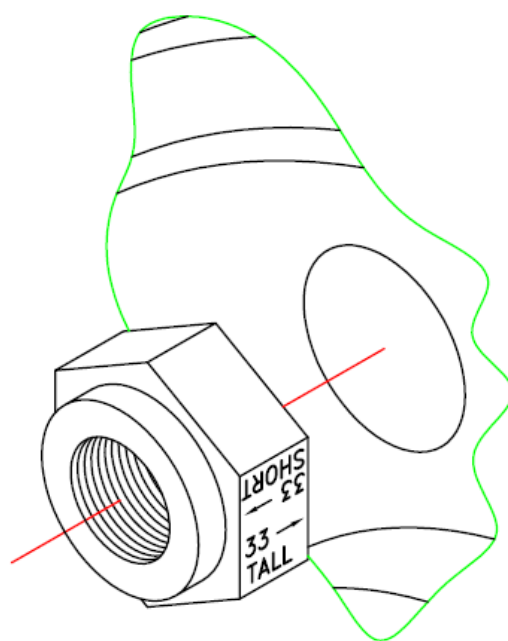
Typical Installation



33mm Short Lug Nuts



33mm Tall Lug Nuts



30mm Lug Nuts

