



## EAGLE FLIGHT® STAINLESS STEEL WHEEL SIMULATORS

# Type D INSTALLATION INSTRUCTIONS

Light Duty Over Lug Mounting with Jam Nuts

### Front Axle Set

- 2 Front Wheel Simulators
- 4 Right Hand Jam Nuts with Stainless Covers
- 2 Decals

### Rear Axle Set

- 2 Rear Wheel Simulators
- 4 Right Hand Jam Nuts with Stainless Covers
- 2 Decals
- 1 Installation Tool

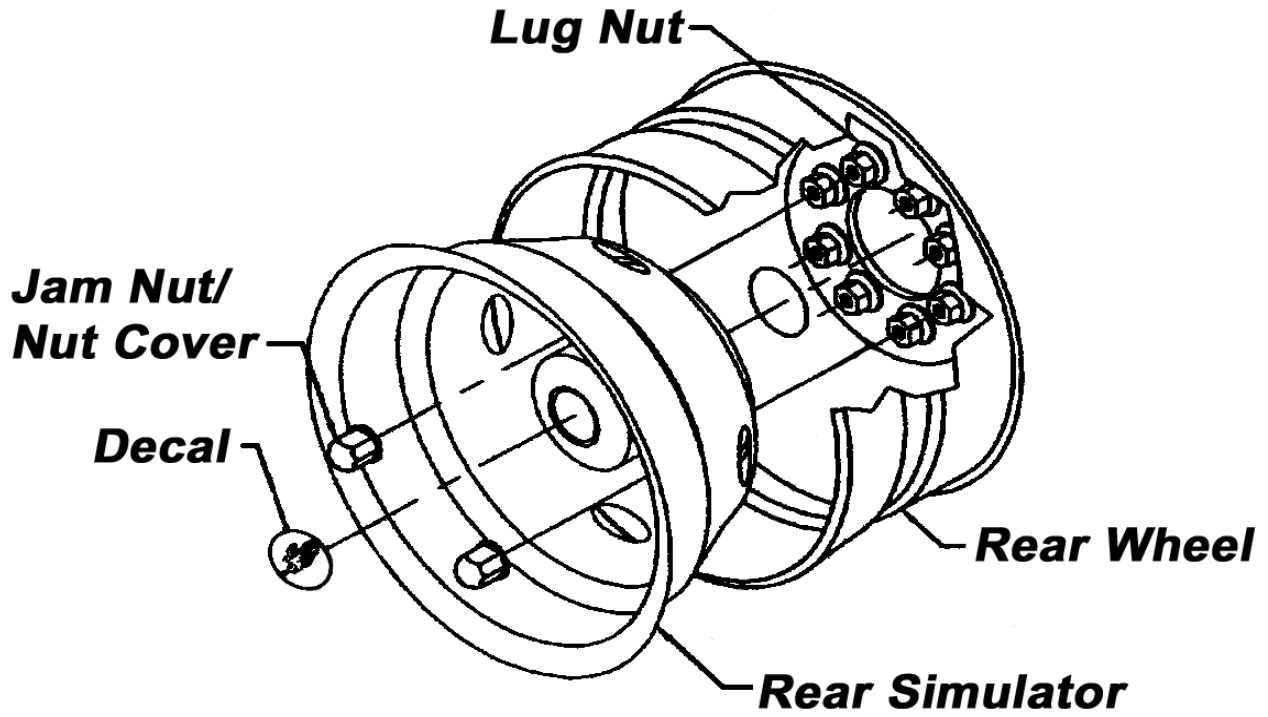
**Note:** This system can be installed with the installation tool provided. No other tools are necessary. Do not use power tools for installation. Eagle Flight® recommends storing the tool with the vehicle's tire tool for future use.

## Installation Instructions

1. DO NOT REMOVE ANY LUGNUTS.
2. DETERMINE CORRECT PLACEMENT OF SIMULATORS REQUIRED FOR PROPER HOLE ALIGNMENT.
3. PLACE LINER OVER STUDS.
4. INSTALL JAM NUTS/ NUT COVERS ONTO THE STUDS, USING THE INSTALLATION TOOL.
5. REPEAT STEPS FOR EACH WHEEL.
6. APPLY DECALS.

**ASSEMBLY DRAWINGS ON BACK**

# Typical Rear



# Typical Front

