



# EAGLE FLIGHT® STAINLESS STEEL WHEEL SIMULATORS

## JDD1708-14

### INSTALLATION INSTRUCTIONS

#### Front Axle Set

- 2 - Front Wheel Simulators
- 4 - Wheel stud extenders
- 4 - Attachment Nuts
- 4 - Replacement Lug Nuts
- 2 - Center Decals

#### Rear Axle Set

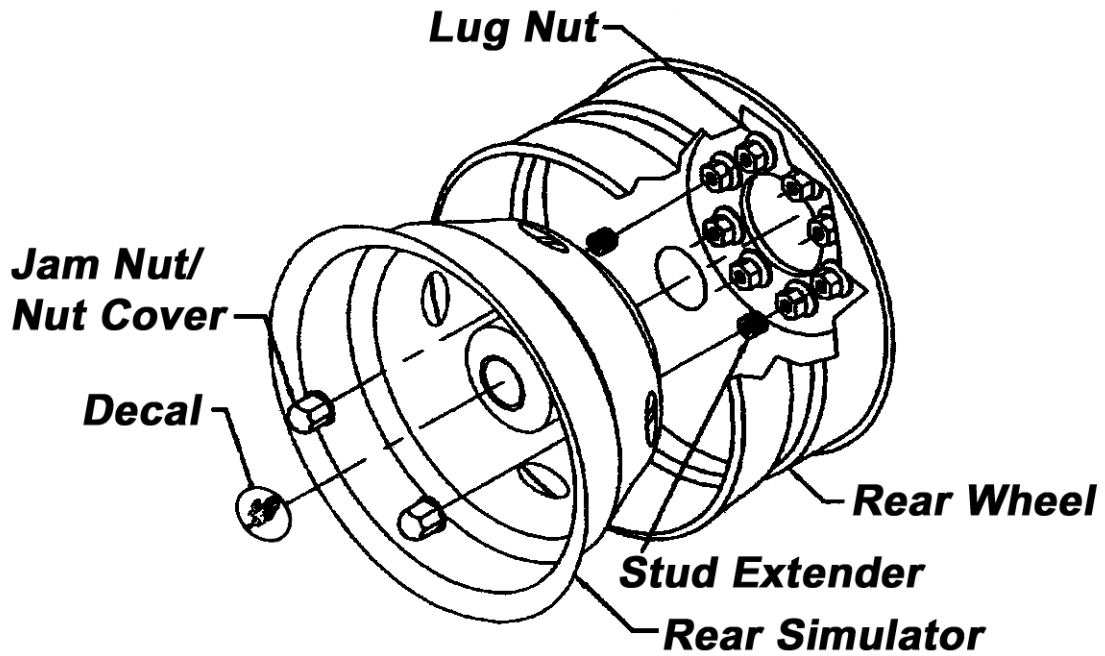
- 2 Rear wheel simulators
- 4 - Wheel stud extenders
- 4 - Attachment Nuts
- 4 - Replacement Lug Nuts
- 2 - Center Decals
- 1 Installation Tool

**Note:** These wheel simulators can be installed with the installation tool provided. No other tools are necessary unless lug nuts need to be replaced. Do not use power tools for installation of wheel simulator attachment hardware. Eagle Flight® recommends storing the tool with the vehicle's tire tool for future use.

## Installation Instructions

1. Determine correct placement of stud extenders required for proper hand hole alignment.
2. Determine if there are sufficient threads of the wheel stud protruding from the wheel lug nuts on the studs needed for stud extender installation. Typically 3 threads are needed.
3. If there are sufficient threads go to step 5.
4. Replace original lug nuts with the ones supplied for any studs without sufficient threads needed for stud extender installation.
5. Install appropriate stud extender on the portion of the wheel studs that protrudes through the wheel lug nut on opposing studs.
6. Tighten stud extenders with included installation tool.
7. Install simulator over stud extenders. Now, install the jam nuts on the stud extenders.
8. Check to be sure the wheel cover is centered on the wheel. (Centering of the wheel cover is very important. Failure to center wheel cover may result in throwing the wheel off balance).
9. Use the included tool to tighten jam nuts.
10. Complete the wheel simulator installation by applying center decals.
11. Repeat steps 1 through 10 for installation of the other wheel simulators.

## Typical Rear



## Typical Front

