



## EAGLE FLIGHT<sup>®</sup> STAINLESS STEEL WHEEL SIMULATORS

# JDD1708-13 INSTALLATION INSTRUCTIONS

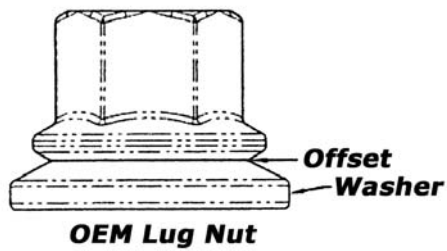
Light Duty Over Lug Mounting with Front & Rear Adaptors  
(For 2003-2014 Dodge 3500)

Front Axle Set	Rear Axle Set
<ul style="list-style-type: none"><li>• 2 Front Wheel Simulators</li><li>• 4 Lug Adaptors</li><li>• 4 Jam Nut/Cover</li><li>• 2 Center Decals</li></ul>	<ul style="list-style-type: none"><li>• 2 Rear Wheel Simulators</li><li>• 4 Lug Adaptors</li><li>• 4 Jam Nut/Cover</li><li>• 2 Center Decals</li><li>• 1 Installation Tool</li></ul>

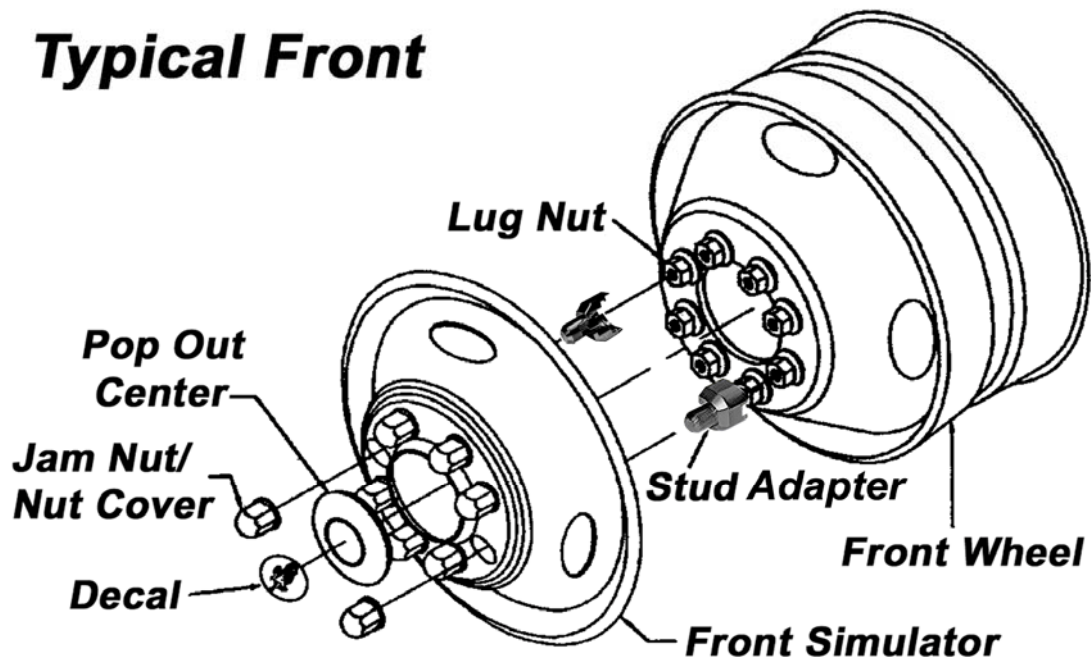
**Note: This system can be installed with the installation tools provided, no other tools are necessary. Eagle Flight<sup>®</sup> recommends storing the tools and these instructions in the vehicle's glove box for future use.**

### Installation Instructions

1. Do not remove the original equipment lug nuts. Determine correct placement of attachment adaptors required for proper hand hole and valve stem alignment of the front wheel simulator.
2. From the outside of the wheel using an inward motion, install the adaptor around the lug nut and into the lug nut offset directly above the lug nut washer.
3. Install front wheel simulator over the adaptors in correct position for proper valve stem and hand hole alignment.
4. Now, install the jam nut\cover onto the stud adaptors exposed through the mounting hole of the front wheel liner.
5. Check to be sure the wheel cover is centered on the wheel. (Centering of the wheel cover is very important. Failure to center wheel cover may result in throwing the wheel off balance).
6. Use the included tool to tighten jam nuts and complete front wheel simulator installation.
7. Determine correct placement of attachment adaptors required for proper hand hole alignment of the rear wheel simulator.
8. From the outside of the wheel using an inward motion, install the adaptor around the lug nut and into the lug nut offset directly above the lug nut washer.
9. Position the rear wheel simulator over the stud extenders. Now, install the jam nut\lug nut cover onto the stud extender exposed through the mounting hole of the rear wheel liner.
10. Check to be sure the wheel cover is centered on the wheel. (Centering of the wheel cover is very important. Failure to center wheel cover may result in throwing the wheel off balance).
11. Use the installation tool to tighten the jam nut\lug nut cover to complete rear wheel liner installation
12. Complete the front and rear wheel liner installation by applying hub center emblem.



## **Typical Front**



## **Typical Rear**

