



## **EAGLE FLIGHT<sup>®</sup> STAINLESS STEEL WHEEL SIMULATORS** INSTALLATION INSTRUCTIONS for GM Trucks

### **Front Axle Set**

- 2 Front Wheel Simulators
- 4 Jam Nuts with Stainless Covers
- 2 Decals

### **Rear Axle Set**

- 2 Rear Wheel Simulators
- 4 Jam Nuts with Stainless Covers
- 2 Decals
- 1 Installation Tool

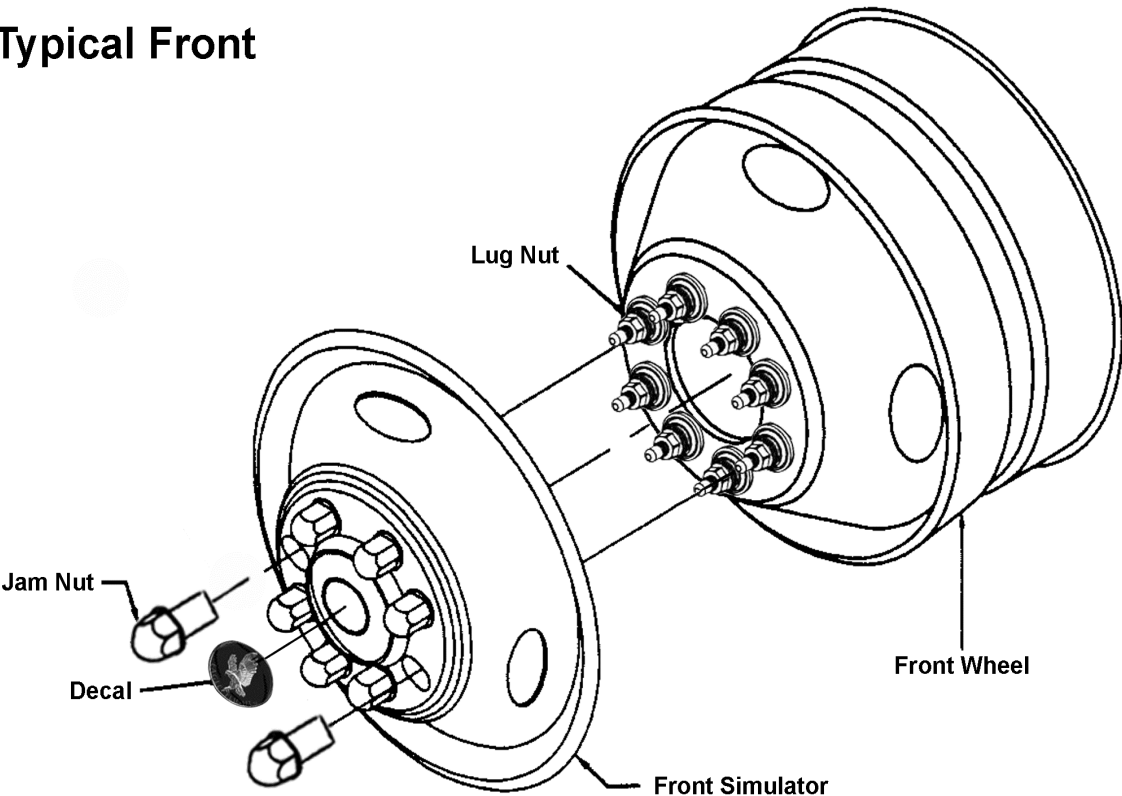
**Note: This system can be installed with the installation tool provided. No other tools are necessary. Do not use power tools for installation. Eagle Flight<sup>®</sup> recommends storing the tool with the vehicle's tire tool for future use.**

## **Installation Instructions**

1. DO NOT REMOVE ANY LUGNUTS.
2. DETERMINE CORRECT PLACEMENT OF SIMULATORS REQUIRED FOR PROPER HAND HOLE AND VALVE STEM ALIGNMENT.
3. PLACE WHEEL SIMULATOR OVER LUG NUTS.
4. INSTALL JAM NUTS/ NUT COVERS ONTO THE LUG NUTS, USING THE INSTALLATION TOOL.
5. REPEAT STEPS FOR EACH WHEEL.
6. APPLY DECALS.

**ASSEMBLY DRAWINGS ON BACK**

# Typical Front



# Typical Rear

