



EAGLE FLIGHT[®] STAINLESS STEEL WHEEL SIMULATORS INSTALLATION INSTRUCTIONS for GM Trucks

Front Axle Set

- 2 Front Wheel Simulators
- 4 Jam Nuts with Stainless Covers
- 2 Decals

Rear Axle Set

- 2 Rear Wheel Simulators
- 4 Jam Nuts with Stainless Covers
- 2 Decals
- 1 Installation Tool

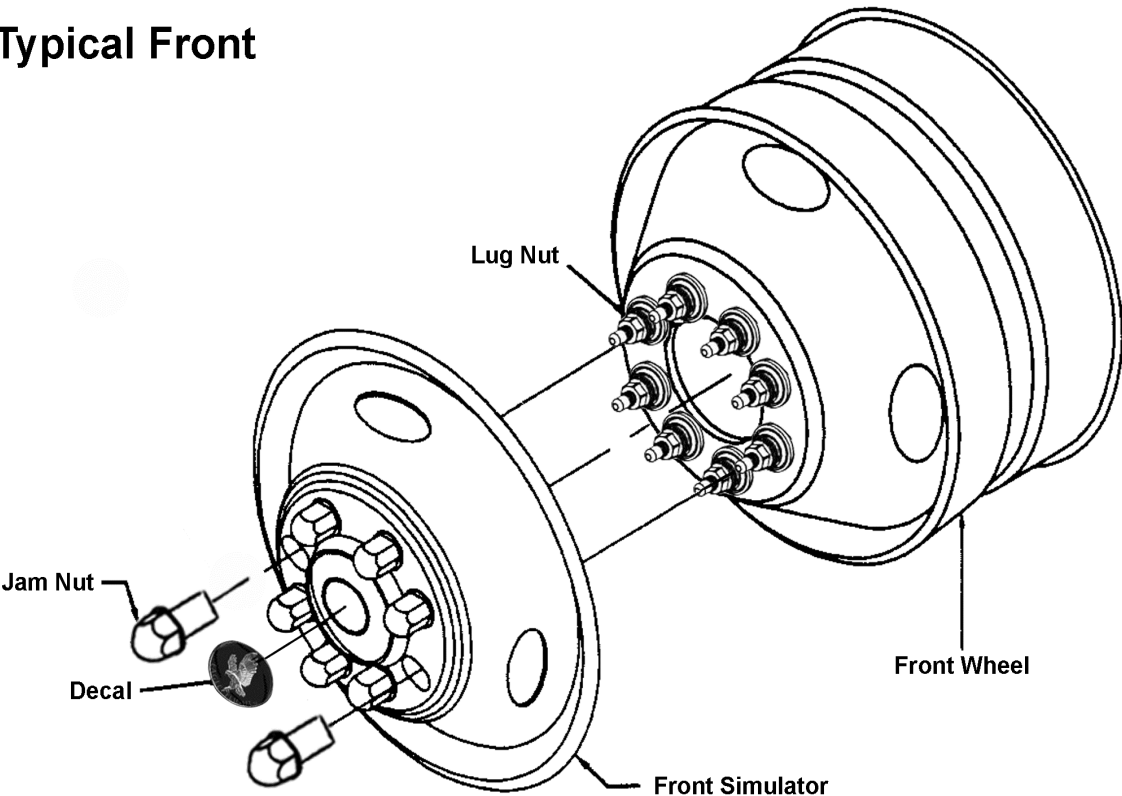
Note: This system can be installed with the installation tool provided. No other tools are necessary. Do not use power tools for installation. Eagle Flight[®] recommends storing the tool with the vehicle's tire tool for future use.

Installation Instructions

1. DO NOT REMOVE ANY LUGNUTS.
2. DETERMINE CORRECT PLACEMENT OF SIMULATORS REQUIRED FOR PROPER HAND HOLE AND VALVE STEM ALIGNMENT.
3. PLACE WHEEL SIMULATOR OVER LUG NUTS.
4. INSTALL JAM NUTS/ NUT COVERS ONTO THE LUG NUTS, USING THE INSTALLATION TOOL.
5. REPEAT STEPS FOR EACH WHEEL.
6. APPLY DECALS.

ASSEMBLY DRAWINGS ON BACK

Typical Front



Typical Rear

