



## EAGLE FLIGHT<sup>®</sup> STAINLESS STEEL WHEEL SIMULATORS

# Type F-GM INSTALLATION INSTRUCTIONS

Over Lug Mounting For GM Single Wheel Trucks

Front Axle Set	Rear Axle Set
<ul style="list-style-type: none"><li>• 2 Front wheel simulators</li><li>• 2 Front axle covers</li><li>• 4 Right hand jam nuts</li><li>• 2 Decals</li></ul>	<ul style="list-style-type: none"><li>• 2 Rear wheel simulators</li><li>• 2 Rear axle covers</li><li>• 4 Right hand jam nuts</li><li>• 2 Decals</li><li>• 1 Installation tool</li></ul>

**Note:** This system can be installed with the installation tool provided. No other tools are necessary. Do not use power tools for installation. Eagle Flight<sup>®</sup> recommends storing the tool with the vehicle's tire tool for future use.

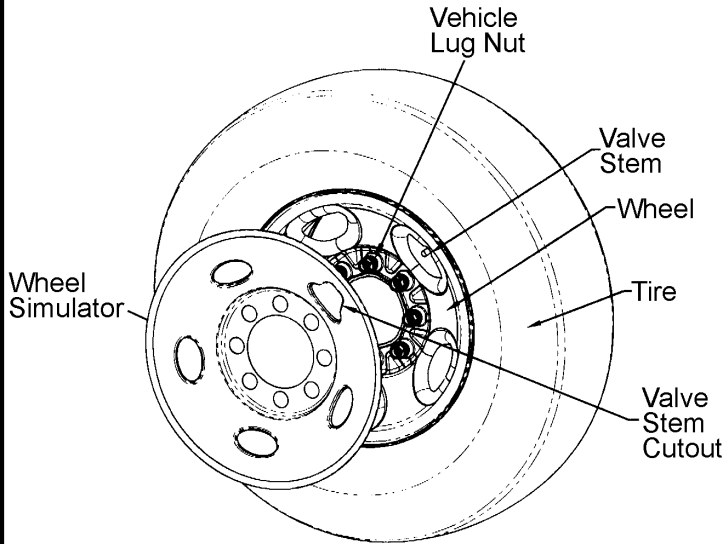
## Installation Instructions

1. Do not remove the original equipment lug nuts.
2. Determine correct placement of wheel simulator required for proper hand hole and valve stem alignment. (Figure 1)
3. Install wheel simulator and axle cover on wheel allowing lug nuts to protrude through the attachment hole of the axle cover. (Figure 2)
4. Install the jam nuts onto the lug nuts exposed through the axle cover. (Figure 3)
5. Check to be sure the wheel cover is centered on the wheel. (Centering of the wheel cover is very important. Failure to center wheel cover may result in throwing the wheel off balance).
6. Use the included tool to tighten jam nuts. (Figure 4)
7. Complete the wheel simulator installation by applying hub center decals.
8. Repeat steps 1 through 7 for installation of the other wheel and axle covers.

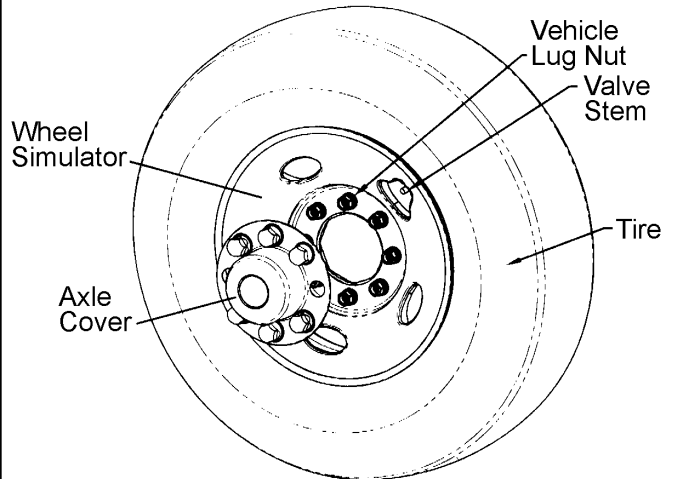


## Installation Diagrams

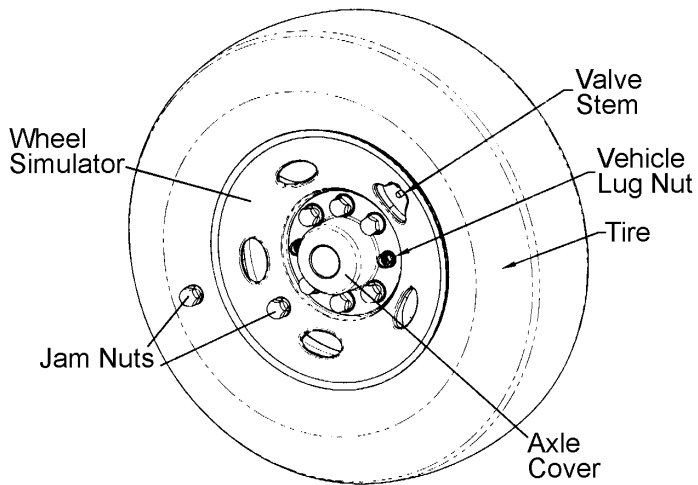
**Figure 1**



**Figure 2**



**Figure 3**



**Figure 4**

