



## EAGLE FLIGHT<sup>®</sup> STAINLESS STEEL WHEEL SIMULATORS

# Type F-10 INSTALLATION INSTRUCTIONS

Light Duty Over Lug Mounting with Stud Extenders

### Front Axle Set

- 2 Front Wheel Simulators
- 4 Stud Extenders
- 4 Attachment Jam Nuts/Covers
- 2 Center Logos

### Rear Axle Set

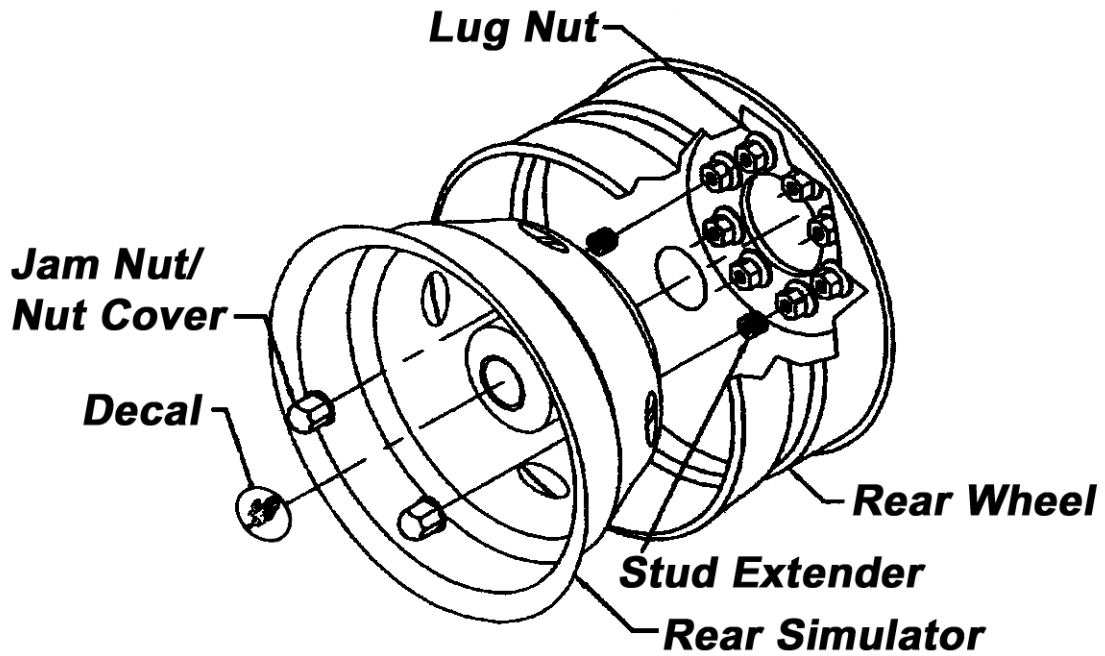
- 2 Rear Wheel Simulators
- 4 Stud Extenders
- 4 Attachment Jam Nuts/Covers
- 2 Center Logos
- 1 Installation Tool

**Note:** This system can be installed with the installation tool provided. No other tools are necessary. Do not use power tools for installation. Eagle Flight<sup>®</sup> recommends storing the tool with the vehicle's tire tool for future use.

## Installation Instructions

1. Do not remove the original equipment lug nuts.
2. Determine correct placement of stud extenders required for proper hand hole alignment.
3. Install appropriate stud extender on the portion of the wheel studs that protrudes through the original equipment lug nut on opposing studs.
4. Tighten stud extenders with included installation tool.
5. Install simulator over stud extenders. Now, install the jam nuts on the stud extenders.
6. Check to be sure the wheel cover is centered on the wheel. (Centering of the wheel cover is very important. Failure to center wheel cover may result in throwing the wheel off balance).
7. Use the included tool to tighten jam nuts.
8. Complete the wheel simulator installation by applying hub center decals.
9. Repeat steps 1 through 8 for installation of the other wheel and axle covers.

## Typical Rear



## Typical Front

