



## EAGLE FLIGHT® STAINLESS STEEL WHEEL SIMULATORS

# JDFT166 INSTALLATION INSTRUCTIONS

Light Duty Over Lug Mounting with Rear Jam Nuts and Front Bracket

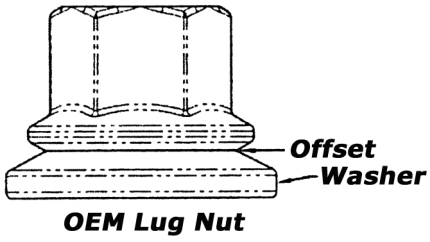
Front Axle Set	Rear Axle Set
<ul style="list-style-type: none"><li>• 2 Front wheel simulators</li><li>• 4 Brackets</li><li>• 4 Stainless Screws</li><li>• 1 Hex Key</li><li>• 2 Center hub logos</li></ul>	<ul style="list-style-type: none"><li>• 2 Rear wheel simulators</li><li>• 4 Attachment nuts/Stainless Cover</li><li>• 2 Center hub logos</li><li>• 1 Installation tool</li></ul>

**Note:** This system can be installed with the installation tools provided, no other tools are necessary. Eagle Flight® recommends storing the tools and these instructions in the vehicle's glove box for future use.

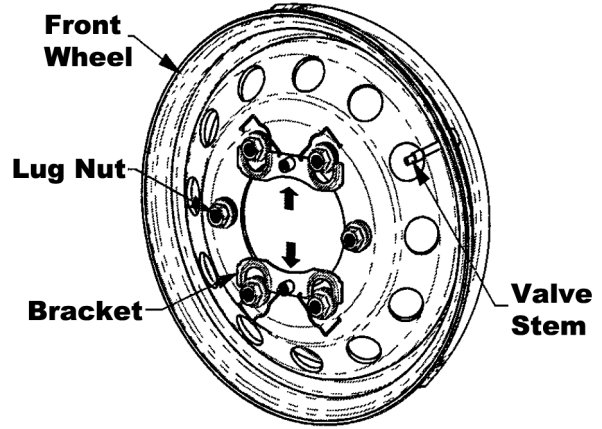
## Installation Instructions

1. Do not remove the original equipment lug nuts. Determine correct placement of attachment bracket required for proper hand hole and valve stem alignment of the front wheel simulator.
2. From the center of the wheel using an outward motion, install the bracket (Fig. B) into the lug nut offset (Fig. A) directly above the lug nut washer (Fig. C). If necessary, gently tap the bracket into position using a hammer. **Do not damage the bracket.**
3. Snap the wire clips into the closed position around the lug nut offset to complete installation of the bracket (Fig. D). Be sure the wire clip snaps into the locking notch.
4. Install front wheel simulator over brackets in correct position for proper valve stem and hand hole alignment. Now, install the stainless steel screws and washers through liner and thread into the bracket post (Fig. E).
5. Use the hex key to tighten the screws to complete front wheel simulator installation.
6. Determine the correct position of the rear wheel simulator for proper hand hole alignment and position the rear wheel simulator over the wheel studs. Now, install the attachment nut/lug nut cover onto the wheel stud exposed through the mounting hole of the rear wheel liner.
7. Use the installation tool to tighten the jam nut/lug nut cover to complete rear wheel liner installation
8. Complete the front and rear wheel liner installation by applying hub center emblem. Repeat steps 1 through 8 of wheel liner installation for opposite side of vehicle. Place hex key and installation tool in vehicle glove box for future use.

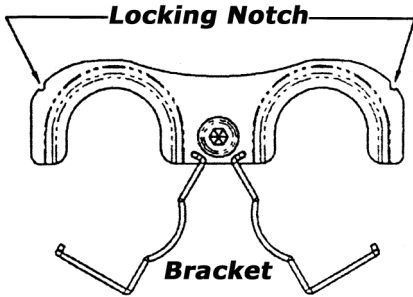
**Figure A**



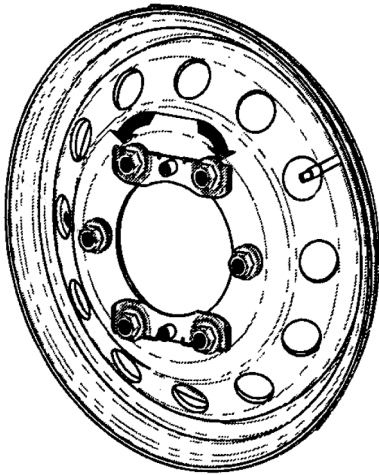
**Figure C**



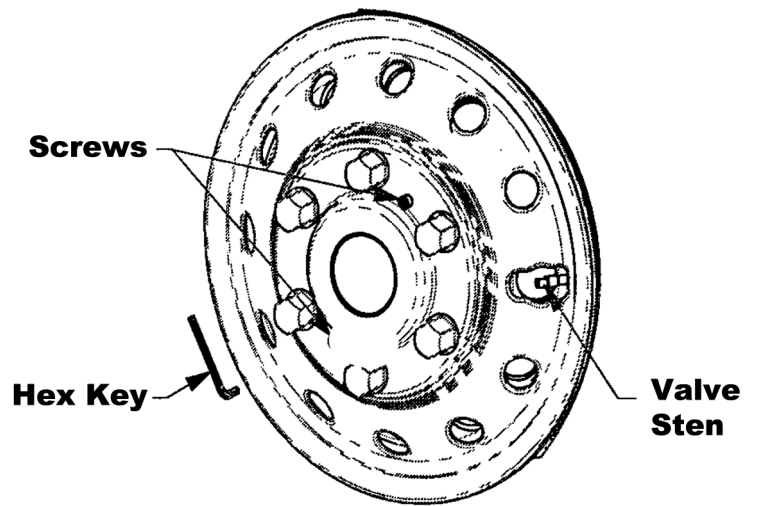
**Figure B**



**Figure D**



**Figure E**



**Typical Rear**

