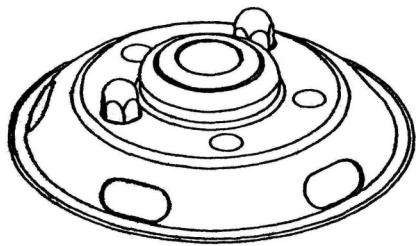




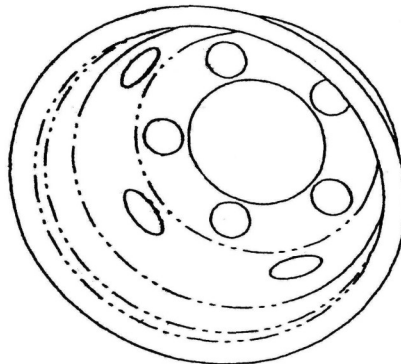
# EAGLE FLIGHT<sup>®</sup> STAINLESS SIMULATORS

## JDM165-11 INSTALLATION INSTRUCTIONS

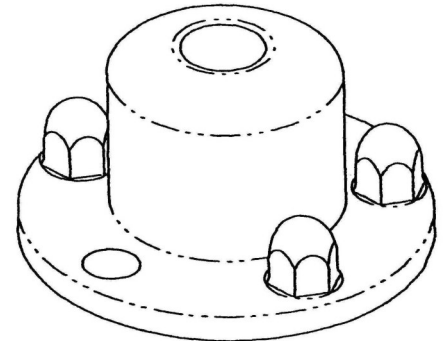
NOTE: THIS SYSTEM CAN BE INSTALLED WITH THE INSTALLATION TOOL PROVIDED. NO OTHER TOOLS ARE NECESSARY. DO NOT USE POWER TOOLS FOR INSTALLATION. IT IS RECOMENDED THAT THE TOOL AND THESE INTRUCTIONS ARE STORED IN VEHICLE FOR FUTURE USE.



**A** Front Simulator (x2)

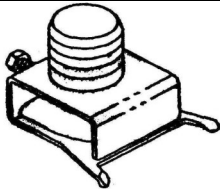


**B** Rear Simulator (x2)



**C** Rear Axle Cover (x2)

Silver



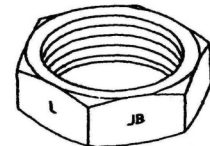
**D** Left Front Attachment (x3)

Silver



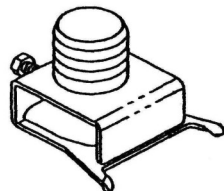
**F** Left Rear Stud Extender (x2)

Silver



**H** Left Hand Attachment Nut (x5)

Yellow



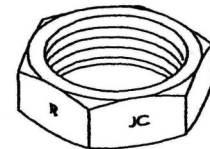
**E** Right Front Attachment (x3)

Yellow

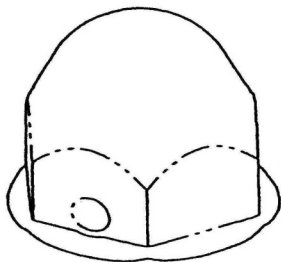


**G** Right Rear Stud Extender (x2)

Yellow



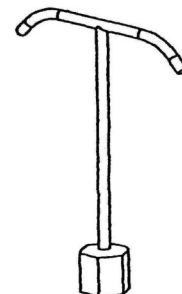
**J** Right Hand Attachment Nut (x5)



**K** Attachment Nut Cover (x10)

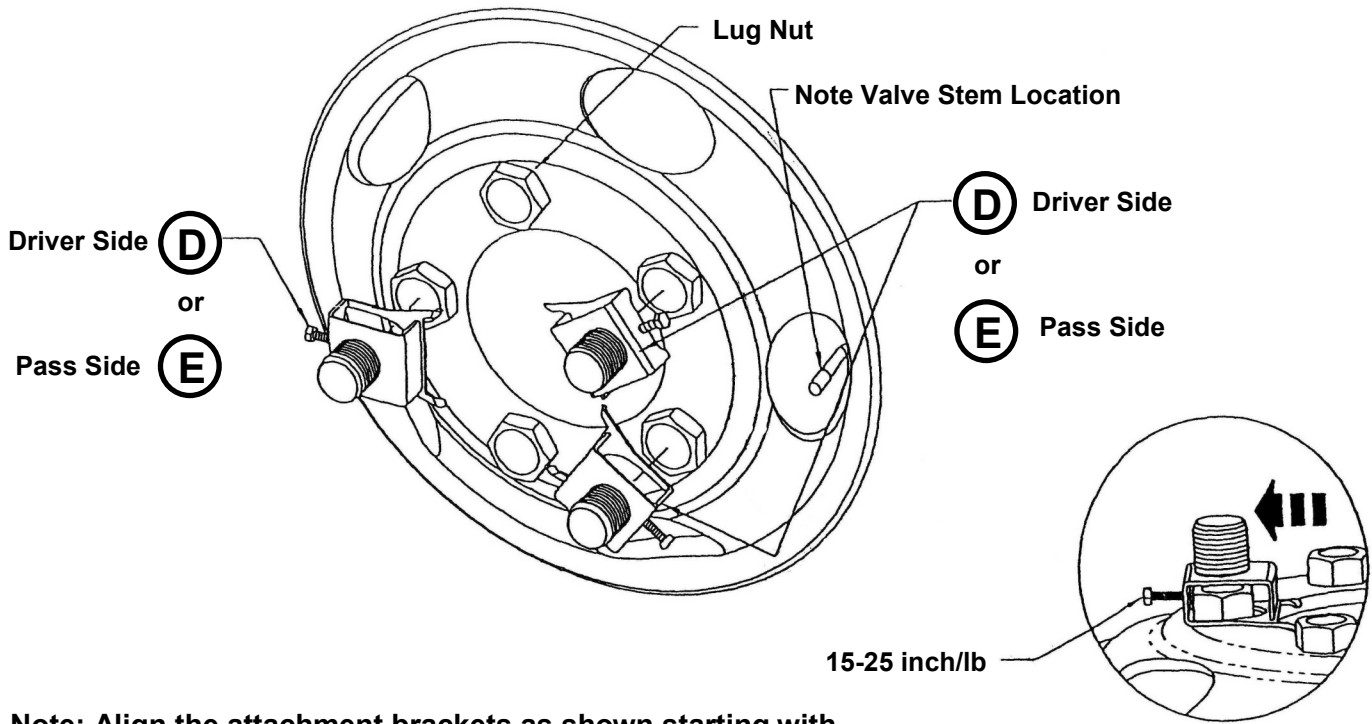


**L** Center Decals (x4)



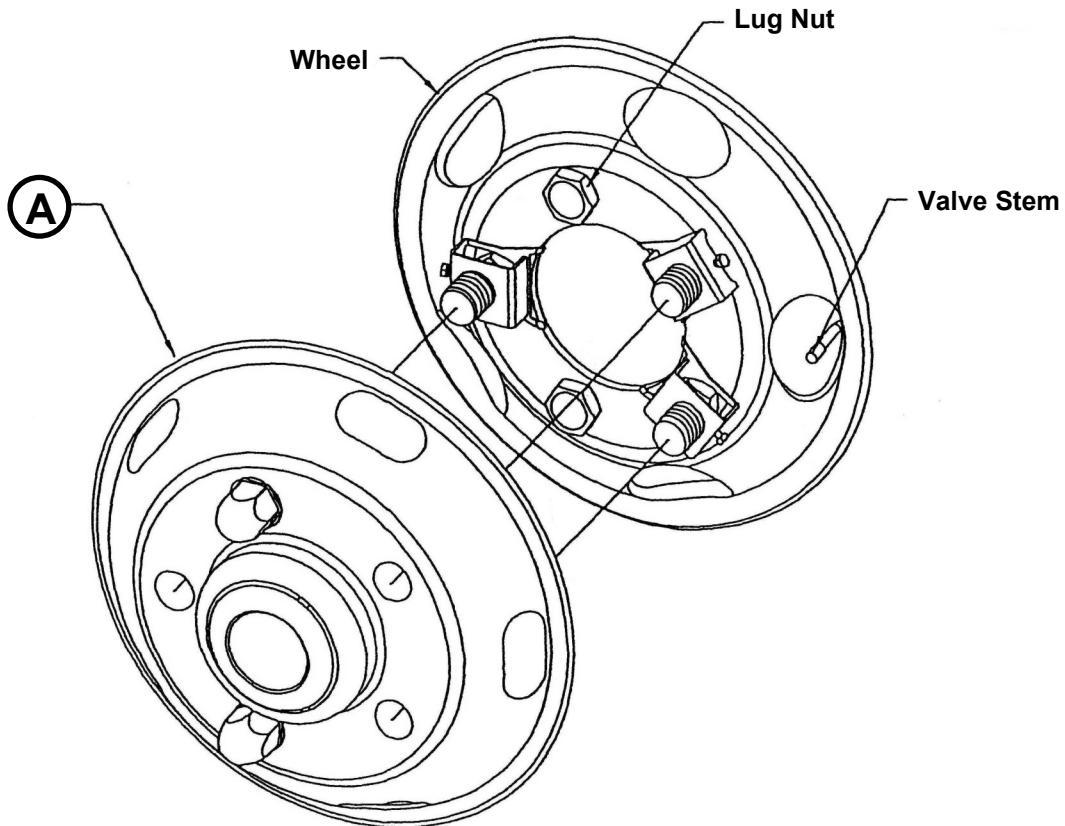
**M** Installation Tool

# Step 1



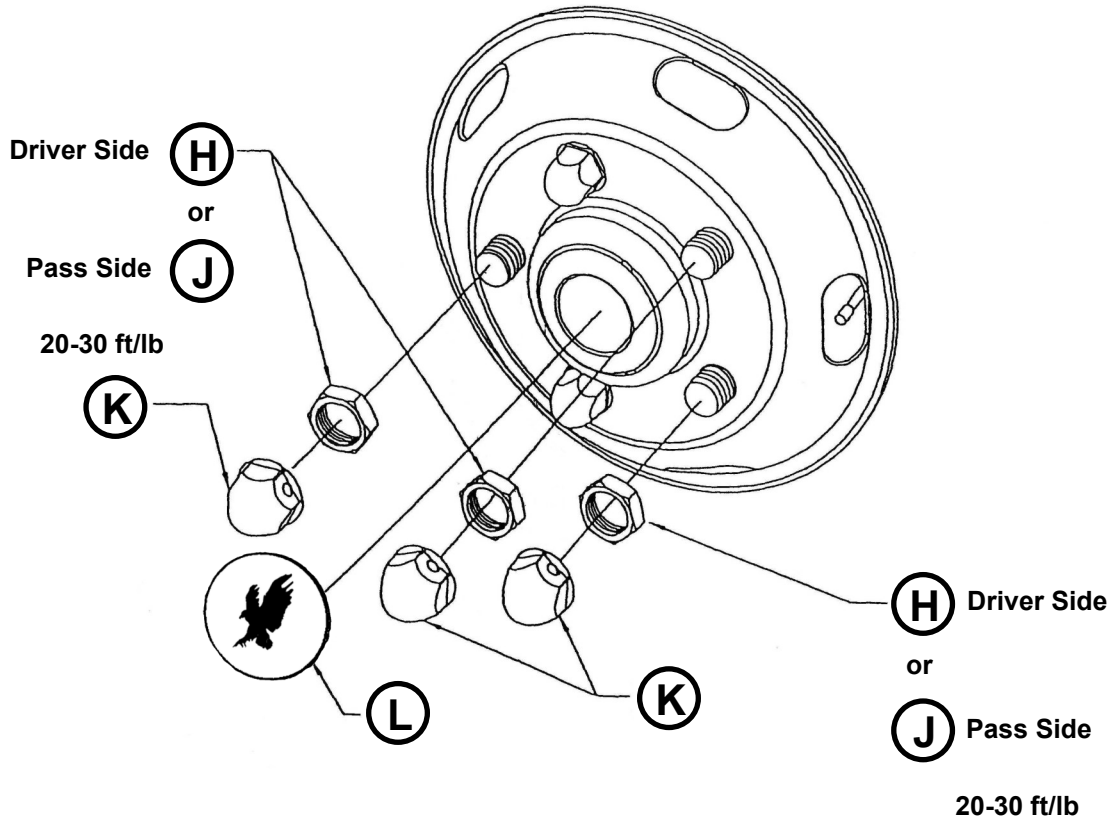
**Note:** Align the attachment brackets as shown starting with the attachment bracket opposite of the valve stem.  
Driver side hardware is Silver, Passenger side hardware is yellow.

# Step 2



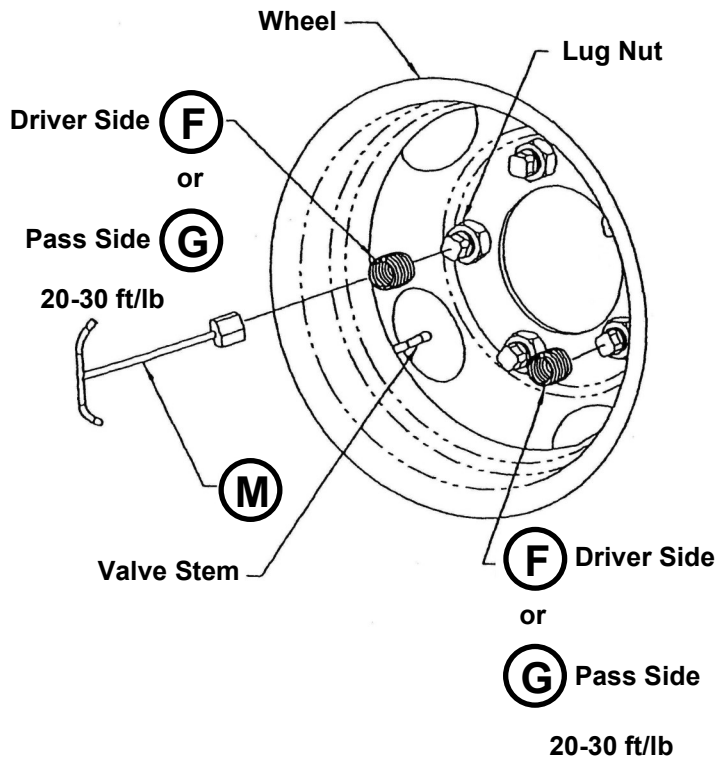
### Step 3

Driver side hardware is Silver,  
Passenger side hardware is yellow.

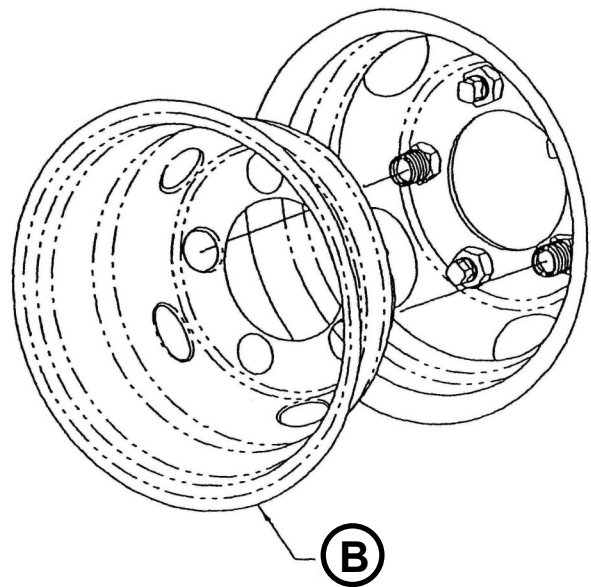


### Step 4

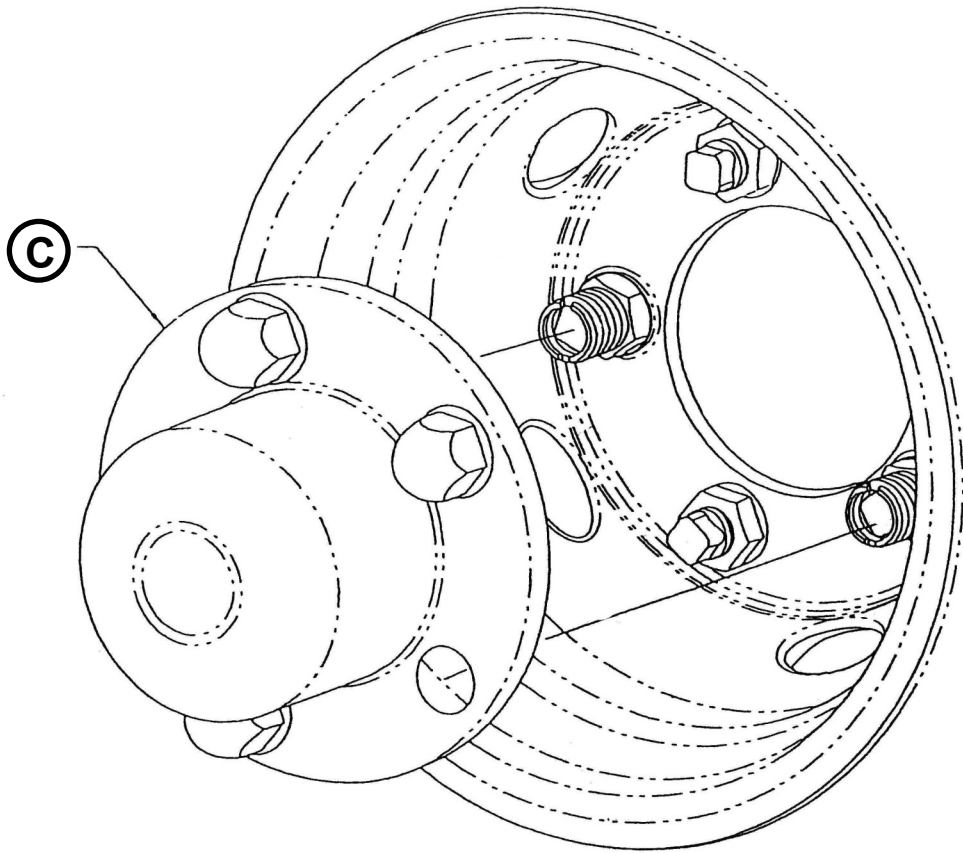
Driver side hardware is Silver,  
Passenger side hardware is yellow.



### Step 5



## Step 6



## Step 7

